

2/2 WAY PISTON ACTUATED VALVE, BUTT WELD CONNECTION - STAINLESS STEEL

TECHNICAL SPECIFICATIONS

- Media: water, oil, air, aggressive media, steam^①
- Media temperature: -10°C ÷ +180°C
- Ambient temperature: -10°C ÷ +60°C
- Pilot media^②: instrument air, inert gases
- Body material: cast AISI 316L (CF3M), see page 37
- Butt weld connection to **DIN 11850-2** pipe or **ISO 65/ANSI B 36.10** pipe
- Bonnet material: cast AISI 316L (CF3M), see page 37
- Actuator body material: Polyamide PA6 (reinforced fiberglass 30%)
- Seal material: PTFE
- Position indicator as standard

BENEFITS

- Waterhammer-free design for **BPW - BPB** (with flow direction 2 → 1)
- Actuator housing rotation 360°
- Design suitable for vacuum applications up to 10⁻² mbar

OPTIONS

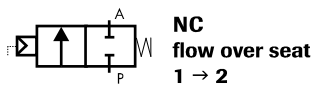
- Stroke regulator assembled ex-factory, see page 27 (e.g. code RPW210STJR0)
- Travel switch assembled ex-factory, see page 27 (e.g. code PB208STZ|0)
- High temperature version, see pages 18/19 (e.g. code BPW207LTY0H)

ACCESSORIES

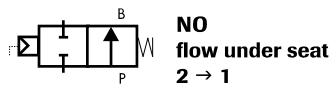
- Position module, travel switch kit, pilot solenoid valves see pages 28/29/30/31



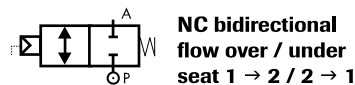
TYPE: PW / PB



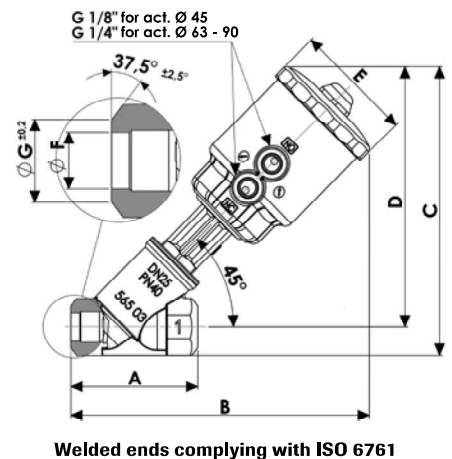
TYPE: RPW / RPB



TYPE: BPW / BPB



DIMENSIONS & WEIGHTS		DN15	DN20	DN15	DN20	DN25	DN32	DN40	DN50	DN25	DN32	DN40	DN50
actuator	[mm]	Ø 45		Ø 63						Ø 90			
A	[mm]	65	75	65	75	90	110	120	150	90	110	120	150
B	[mm]	144	149	192	198	212	225	230	248	223	234	239	257
C	[mm]	136	142	184	192	205	217	225	241	216	227	235	250
D	[mm]	123	126	171	176	185	193	198	207	196	202	207	216
E	[mm]	57	57	85	85	85	85	85	85	112	112	112	112
F DIN 11850	[mm]	16	20	16	20	26	32	38	50	26	32	38	50
F ISO 65/ANSI B 36.10	[mm]	17,4	22,8	17,4	22,8	28,3	37,1	42,7	54,8	28,3	37,1	42,7	54,8
G DIN 11850	[mm]	19,2	23,2	19,2	23,2	29,2	36	42	54	29,2	36	42	54
G ISO 65/ANSI B 36.10	[mm]	20,6	26	20,6	26	31,5	41,1	46,7	58,8	31,5	41,1	46,7	58,8
weight	[kg]	0.8	0.9	1.2	1.3	1.5	1.9	2.1	2.9	2.0	2.4	2.6	3.3



The products listed below comply with the requirements of the European Pressure Equipment Directive 97/23/EC and carry the CE mark when required. The products fall within the following Pressure Equipment Directive categories:

VALVE TYPE	Bodies	Group 1 gases	Group 1 liquids and Group 2 other fluids
PW - RPW - BPW PB - RPB - BPB	DN15 ÷ DN25 (PN40)	SEP	SEP
	DN32 ÷ DN40 (PN25)	Category I	SEP
	DN50 (PN16)	Category I	SEP

WARNING !

According to the European Pressure Equipment Directive 97/23/EC, liquids whose saturated vapour pressure at the maximum allowable temperature is more than 0,5 barg shall be considered as gases.

NOTES

- ^① Steam max. working pressure 10 bar (9 barg)
- ^② Please contact M&M sales Department for other pilot media
- ^③ Minimum pilot pressure at the max. working pressure: for lower working pressures please refer to the COMPARATIVE CHARTS (for different part numbers: e.g. PW205STW00 please refer to the equivalent part number PG205STW00 for threaded connection)

2/2 WAY PISTON ACTUATED VALVE, BUTT WELD CONNECTION - STAINLESS STEEL

VALVE	body connection	DN	flow rate Kvs	working pressure ①		flow direction	pilot pressure ③		actuator Ø	function
				min.	max.		min.	max.		
code	—	[mm]	[l/min]	[barg]	[barg]	—	[barg]	[barg]	[mm]	—
PW205CTW00	butt weld to DIN 11850-2 pipe	15	75	0	16	1 → 2	3.8	10	45	NC
PW206CTX00		20	133	0	16	1 → 2	5.8	10		
PW205STW00		15	87	0	20	1 → 2	3.7	10		
PW206STX00		20	164	0	20	1 → 2	4.4	10	63	
PW207STY00		25	260	0	20	1 → 2	5	10		
PW208STZ00		32	410	0	16	1 → 2	5.9	10		
PW209STK00		40	700	0	16	1 → 2	9	10	90	
PW210STJ00		50	950	0	11	1 → 2	8	10		
PW207LTY00		25	260	0	20	1 → 2	2	8		
PW208LTZ00		32	410	0	16	1 → 2	3.5	8	90	
PW209LTK00		40	700	0	16	1 → 2	4	8		
PW210LTJ00		50	950	0	15	1 → 2	6.5	8		
RPW205CTW00		butt weld to DIN 11850-2 pipe	15	75	0	16	2 → 1	4	10	
RPW206CTX00	20		133	0	16	2 → 1	6.2	10		
RPW205STW00	15		87	0	16	2 → 1	2.5	10		
RPW206STX00	20		164	0	16	2 → 1	4.3	10	63	
RPW207STY00	25		260	0	16	2 → 1	5.5	10		
RPW208STZ00	32		410	0	16	2 → 1	6.5	10		
RPW209STK00	40		700	0	16	2 → 1	9	10	90	
RPW210STJ00	50		950	0	12	2 → 1	9.4	10		
RPW207LTY00	25		260	0	16	2 → 1	2	8		
RPW208LTZ00	32		410	0	16	2 → 1	4	8	90	
RPW209LTK00	40		700	0	16	2 → 1	5	8		
RPW210LTJ00	50		950	0	16	2 → 1	7	8		
BPW205CTW00	butt weld to DIN 11850-2 pipe		15	75	0	16 / 16	1 → 2 / 2 → 1	6.2 / 5	10	45
BPW206CTX00		20	133	0	16 / 7	1 → 2 / 2 → 1	8.7 / 5	10		
BPW205STW00		15	87	0	16	1 → 2 / 2 → 1	5.5 / 3.8	10		
BPW206STX00		20	164	0	16	1 → 2 / 2 → 1	6 / 3.8	10	63	
BPW207STY00		25	260	0	16 / 11	1 → 2 / 2 → 1	6.5 / 3.8	10		
BPW208STZ00		32	410	0	16 / 6	1 → 2 / 2 → 1	6.8 / 3.8	10		
BPW209STK00		40	700	0	12 / 4	1 → 2 / 2 → 1	9 / 3.8	10	90	
BPW210STJ00		50	950	0	8 / 2.5	1 → 2 / 2 → 1	9 / 3.8	10		
BPW207LTY00		25	260	0	16 / 14	1 → 2 / 2 → 1	4 / 3.3	8		
BPW208LTZ00		32	410	0	16 / 12	1 → 2 / 2 → 1	5 / 3.3	8	90	
BPW209LTK00		40	700	0	16 / 8	1 → 2 / 2 → 1	6 / 3.3	8		
BPW210LTJ00		50	950	0	14 / 6	1 → 2 / 2 → 1	8 / 3.3	8		
PB205CTW00		butt weld to ISO 65/ ANSI B 36.10 pipe	15	75	0	16	1 → 2	3.8	10	45
PB206CTX00	20		133	0	16	1 → 2	5.8	10		
PB205STW00	15		87	0	20	1 → 2	3.7	10		
PB206STX00	20		164	0	20	1 → 2	4.4	10	63	
PB207STY00	25		260	0	20	1 → 2	5	10		
PB208STZ00	32		410	0	16	1 → 2	5.9	10		
PB209STK00	40		700	0	16	1 → 2	9	10	90	
PB210STJ00	50		950	0	11	1 → 2	8	10		
PB207LTY00	25		260	0	20	1 → 2	2	8		
PB208LTZ00	32		410	0	16	1 → 2	3.5	8	90	
PB209LTK00	40		700	0	16	1 → 2	4	8		
PB210LTJ00	50		950	0	15	1 → 2	6.5	8		
RPB205CTW00	butt weld to ISO 65/ ANSI B 36.10 pipe		15	75	0	16	2 → 1	4	10	45
RPB206CTX00		20	133	0	16	2 → 1	6.2	10		
RPB205STW00		15	87	0	16	2 → 1	2.5	10		
RPB206STX00		20	164	0	16	2 → 1	4.3	10	63	
RPB207STY00		25	260	0	16	2 → 1	5.5	10		
RPB208STZ00		32	410	0	16	2 → 1	6.5	10		
RPB209STK00		40	700	0	16	2 → 1	9	10	90	
RPB210STJ00		50	950	0	12	2 → 1	9.4	10		
RPB207LTY00		25	260	0	16	2 → 1	2	8		
RPB208LTZ00		32	410	0	16	2 → 1	4	8	90	
RPB209LTK00		40	700	0	16	2 → 1	5	8		
RPB210LTJ00		50	950	0	16	2 → 1	7	8		
BPB205CTW00		butt weld to ISO 65/ ANSI B 36.10 pipe	15	75	0	16 / 16	1 → 2 / 2 → 1	6.2 / 5	10	45
BPB206CTX00	20		133	0	16 / 7	1 → 2 / 2 → 1	8.7 / 5	10		
BPB205STW00	15		87	0	16	1 → 2 / 2 → 1	5.5 / 3.8	10		
BPB206STX00	20		164	0	16	1 → 2 / 2 → 1	6 / 3.8	10	63	
BPB207STY00	25		260	0	16 / 11	1 → 2 / 2 → 1	6.5 / 3.8	10		
BPB208STZ00	32		410	0	16 / 6	1 → 2 / 2 → 1	6.8 / 3.8	10		
BPB209STK00	40		700	0	12 / 4	1 → 2 / 2 → 1	9 / 3.8	10	90	
BPB210STJ00	50		950	0	8 / 2.5	1 → 2 / 2 → 1	9 / 3.8	10		
BPB207LTY00	25		260	0	16 / 14	1 → 2 / 2 → 1	4 / 3.3	8		
BPB208LTZ00	32		410	0	16 / 12	1 → 2 / 2 → 1	5 / 3.3	8	90	
BPB209LTK00	40		700	0	16 / 8	1 → 2 / 2 → 1	6 / 3.3	8		
BPB210LTJ00	50		950	0	14 / 6	1 → 2 / 2 → 1	8 / 3.3	8		